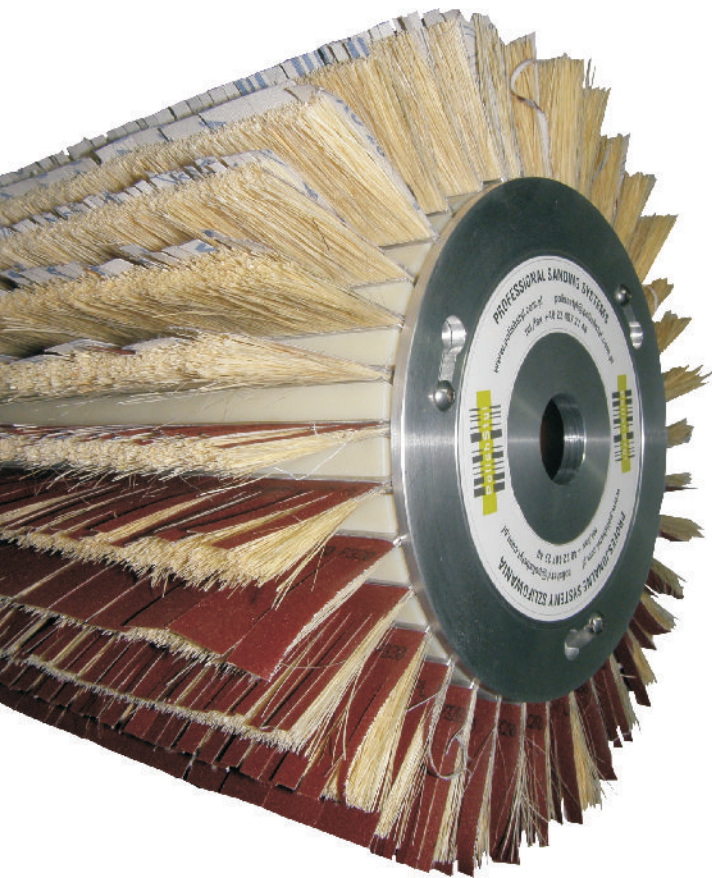




# BRUSHING TECHNOLOGY

## Flexible sanding tools





We would like to introduce to You quick and economic system of finishing surfaces during grinding wood, wooden materials and lacquer coatings. Thanks to optimized parameters of our brushes and selection flexibility of sanding technology we are able to cope with most difficult and untypical challenges, at the same time guaranteeing satisfaction from cooperation and measurable benefits from choice of surface finishing technology. Using many years of experience we are able to develop and provide any sanding tool.

Our steel and tynex heads are used in more and more popular wood technology which is called wood structuring.



## ADVANTAGES OF OUR TECHNOLOGY:

We are a producer which offers brushes in plastic (for light work) and in aluminum (for hard work).

Our brushes construction guarantees durability in connection of sanding material with support bristles, supported with many years of experience in production conditions.

In our products we are using natural bristles which is characterized with anti - static properties, thanks to those properties on the surface of sanded material there are no electrostatic loads. Moreover used bristles has excellent grinding - polishing and cleaning - dust removal properties.

We are producing one and double breasted brushes, with bristles height from 20 mm to 110 mm and with cuts on sanding material every 2,4,7,20,50,100 mm or without any cuts. Depending on our customer needs the cuts on sanding material can be straight, arc or conical.

The sanding materials that we use can guarantee the highest durability, flexibility and excellent surface quality recurrence.

For Your needs we are making sanding heads in plastic and aluminum with straight and torsion grooves with different blocking systems.

In our offer You will also find sanders of approved polish and foreign producers.

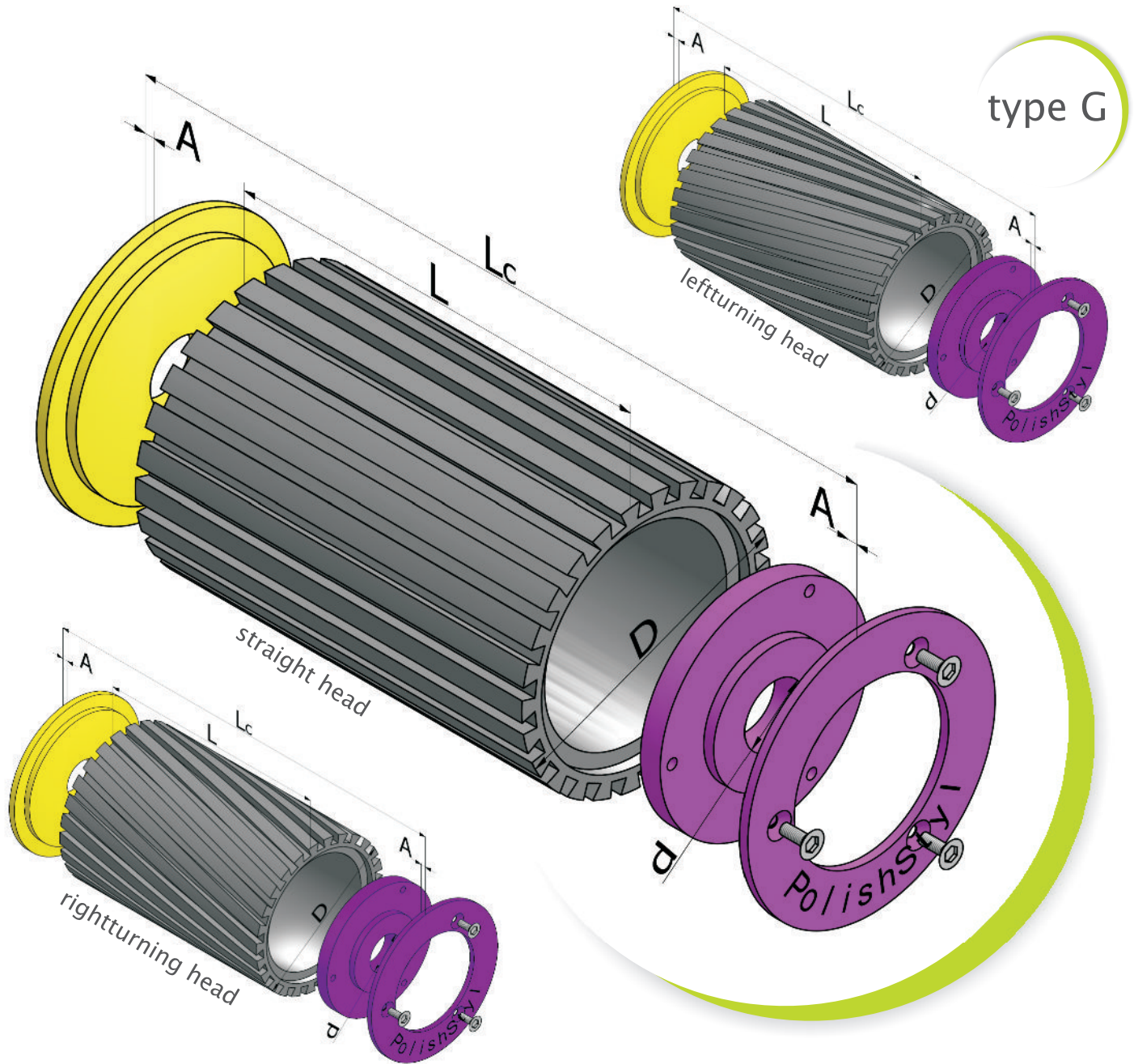
To meet our clients expectations we also make unusual constructions of brushes and sanding heads.



Our sanding heads guarantee long and seamless work thanks to its construction and precision of finishing. In production of our sanding heads we use light alloys or properly rigid and strain resistant plastics. Such construction is able to transfer big burden during sanding without harm for sanding head durability and sander propulsion.

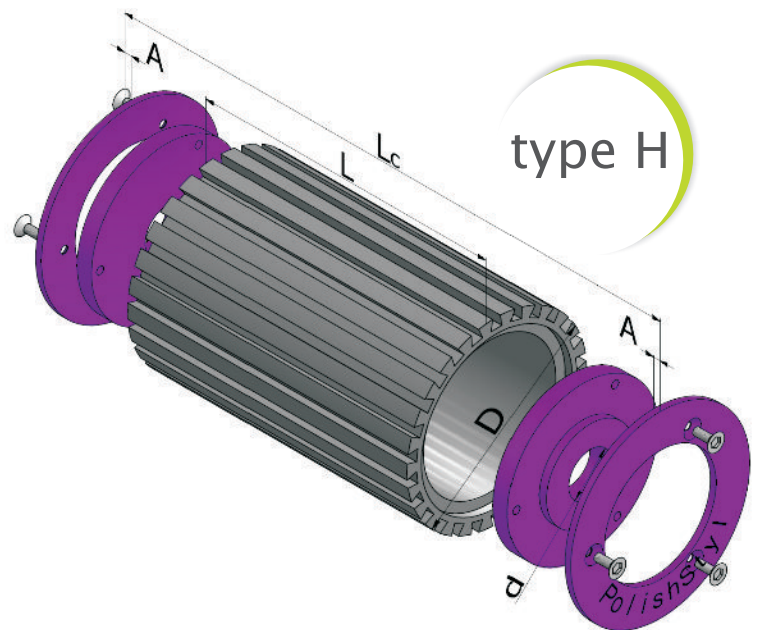
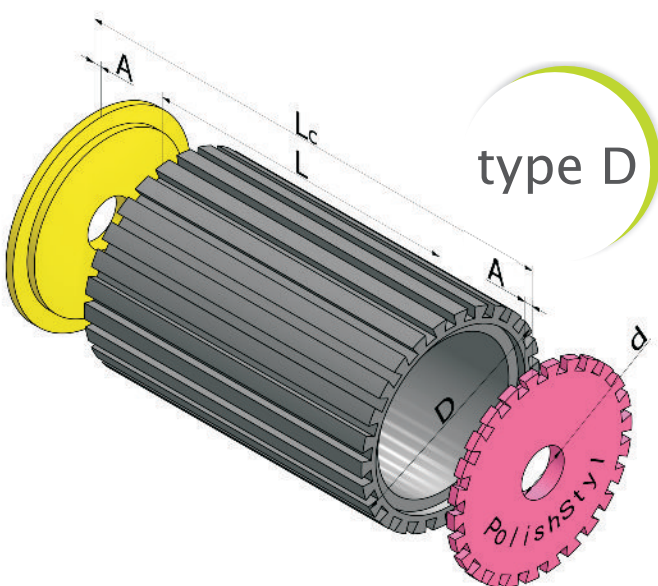
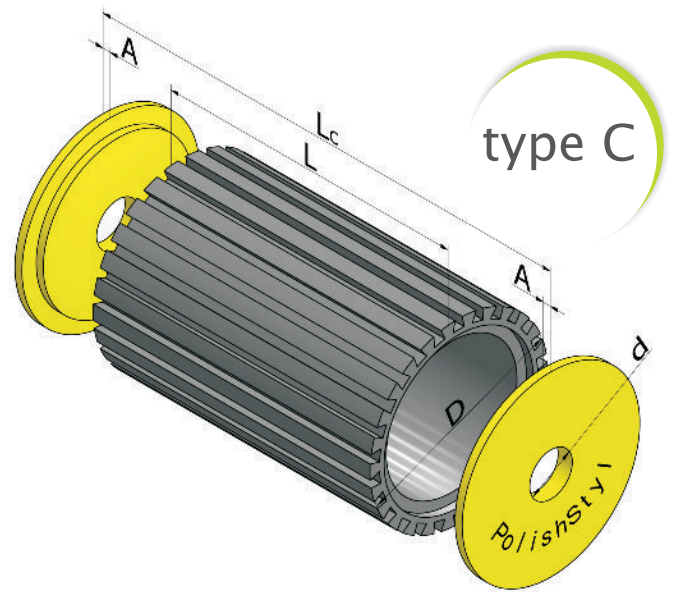
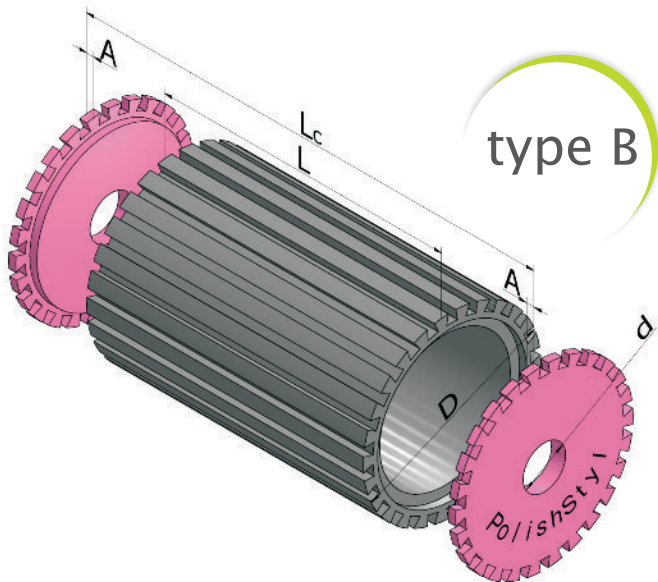
We are making sanding heads with straight and spiral grooves, which combined with rotation direction regulation makes possible think full and effective sanding of either plain surface and the edges. Depending on conditions of every type of machine we are using different brush blocking systems so the change of the brushes is simple and quick, and there is no need to take off the whole sanding head from the machine.





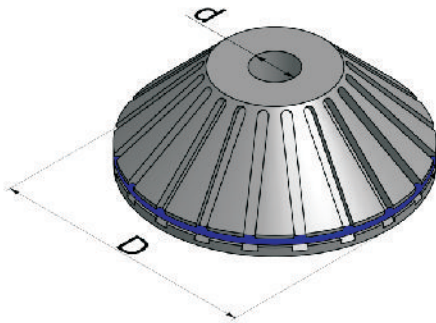
**DIMENSIONS OF SANDING HEADS (TYPES B,C,D,G,H)**

<b>L</b>	<b>50 ÷ 2200 mm</b>										
<b>A</b>	<b>2 ÷ 5 mm</b>										
<b>B</b>	<b>15 ÷ 25 mm</b>										
<b>d</b>	<b>Ø 20 ÷ Ø 80 or other if needed</b>										
<b>D</b>	<b>Ø 56</b>	<b>Ø 60</b>	<b>Ø 80</b>	<b>Ø 100</b>	<b>Ø 110</b>	<b>Ø 115</b>	<b>Ø 125</b>	<b>Ø 150</b>	<b>Ø 180</b>	<b>Ø 280</b>	<b>Ø 310</b>
Quantity of brushes	<b>12</b>	<b>14</b>	<b>18</b>	<b>20</b>	<b>22</b>	<b>24</b>	<b>26</b>	<b>32</b>	<b>36</b>	<b>54</b>	<b>60</b>
	<b>Non standard diameters – realization time 4 weeks</b>										
	<b>Standard diameters – realization time 2 weeks</b>										

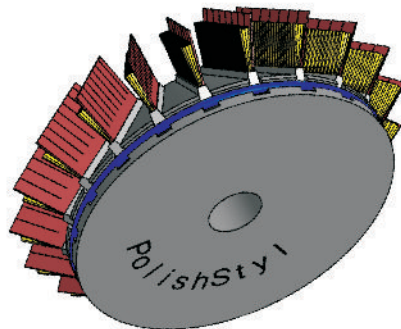
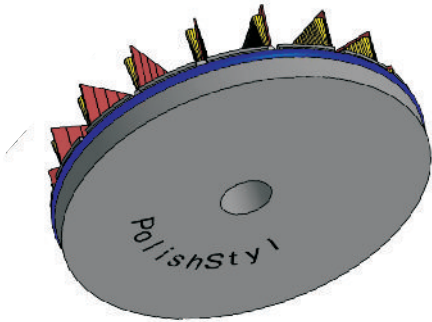
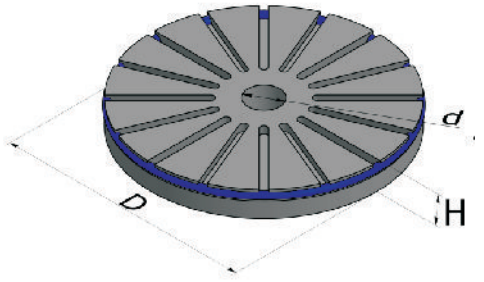


All types of roller heads (A - H) are produced with leftturning grooves, rightturning grooves and straight grooves.

type I

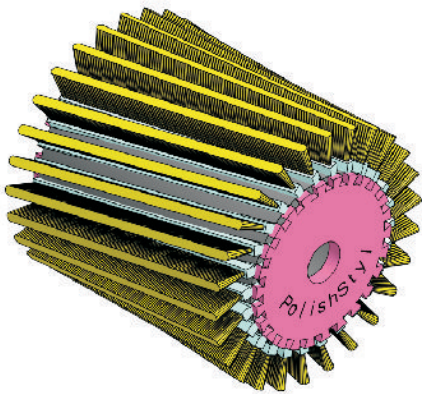


type J



DIMENSIONS OF SANDING HEADS (TYPES I,J)	
<i>H</i>	15 ÷ 25 mm
<i>d</i>	Ø 20 ÷ Ø 50 or other if needed
<i>D</i>	Ø 130 ÷ Ø 300

leftturning roller head



straight roller head

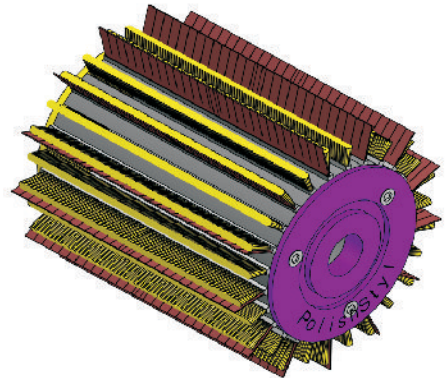
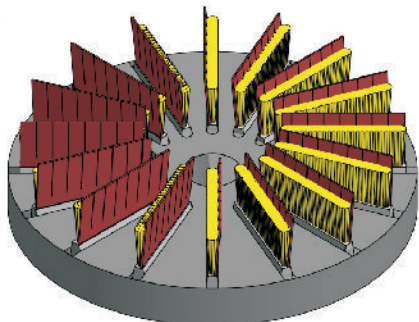
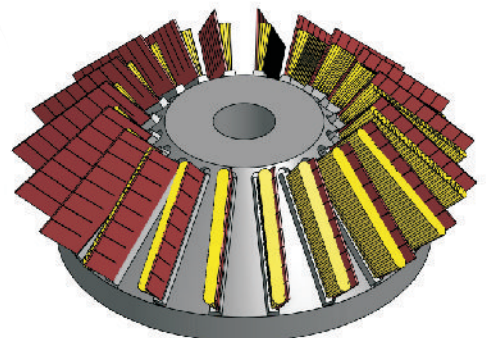


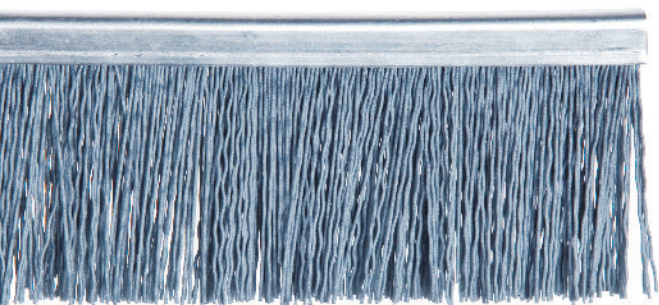
plate head



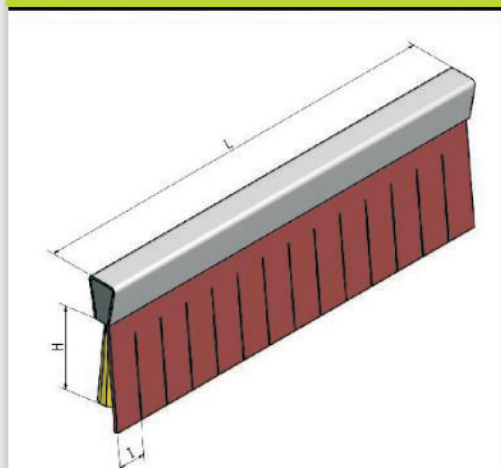
conical head



Let us present our exchangeable sanding brushes system which is used in production lines of big furniture factories and also in hand machines. Depending on technology of surface finishing we can offer You brushes with sanding cloth, nonwoven, natural skin, abralon, natural fibers or horse hair. Right choice of sanding material, grain, cuts and support system is a guarantee of optimal effect during sanding, polishing or grinding of oil or wax.



Brushes dimensions



Index	Cuts shape	description	Range of cuts
<i>I</i>		Width of the sanding stripe (mm)	<b>2; 4; 7; 20; 50; 100;</b> without cuts
<i>I<sub>1</sub></i>			
<i>I<sub>2</sub></i>			
<b>H</b>	Fiber height (mm)		<b>20 ÷ 110</b>
<b>L</b>	Length of sanding brush (mm)		<b>35 ÷ 2500</b>



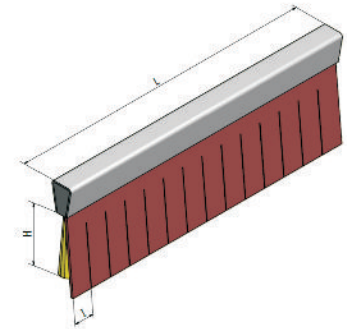
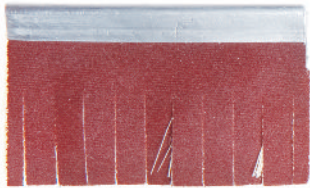
Type: **DERTamp metal grip**

Sanding brush with abrasive cloth

Possible types:

AIO – aluminum oxide

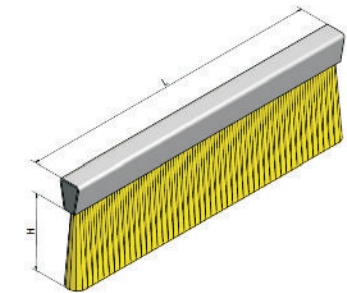
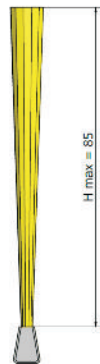
SiC – silicon carbide



Type: **Tamp metal grip**

Supporting brush with

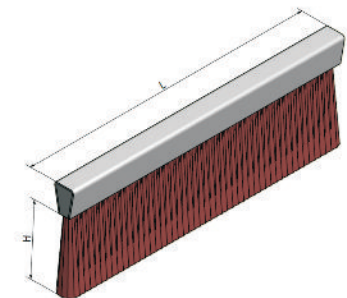
Tampico fiber



Type: **HORSET metal grip**

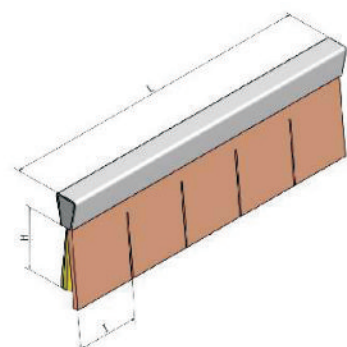
Cleaning and dedusting brush

with horse hair



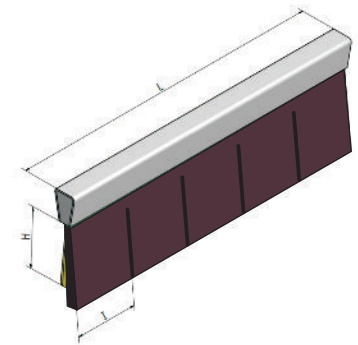
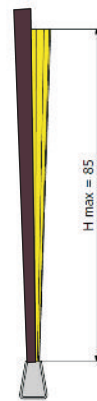
Type: **LEATHERTamp metal grip**

Polishing brush with natural leather



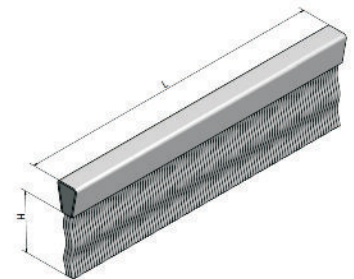
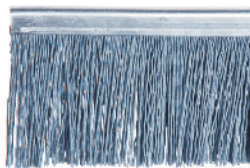
Type: **W/Tamp metal grip**

Sanding cleaning brush with non woven abrasive fabric



Type: **ABRAT metal grip**

Light Structuring brush with Abralon fiber



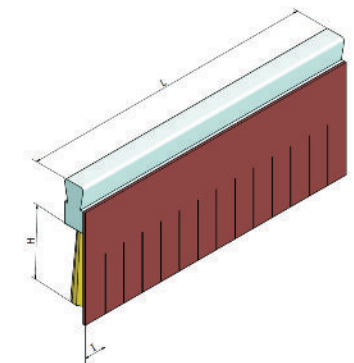
Type: **DERTamp/F plastick grip**

Sanding brush with abrasive cloth

Possible types:

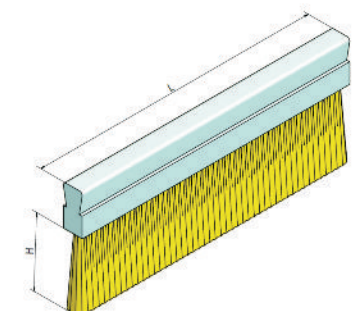
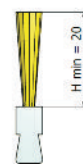
AIO – aluminum oxide

SiC – silicon carbide



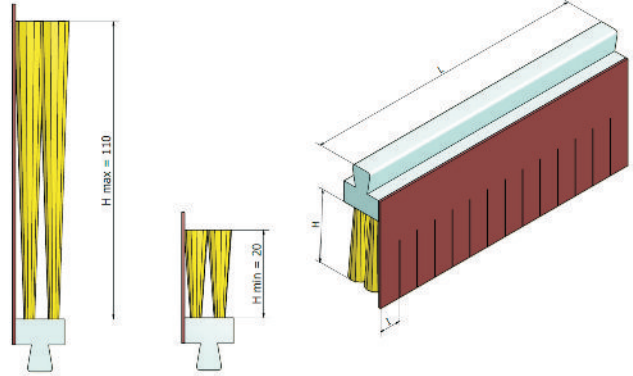
Type: **Tamp/F plastick grip**

Supporting brush with Tampico fiber



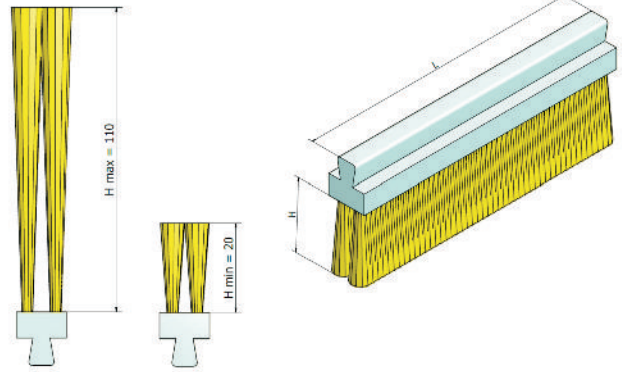
Type: **DERTamp2/F** *plastick grip*

Sanding brush with abrasive cloth  
 Two lines of tampico  
 Possible types:  
 AIO - aluminum oxide  
 SiC - silicon carbide



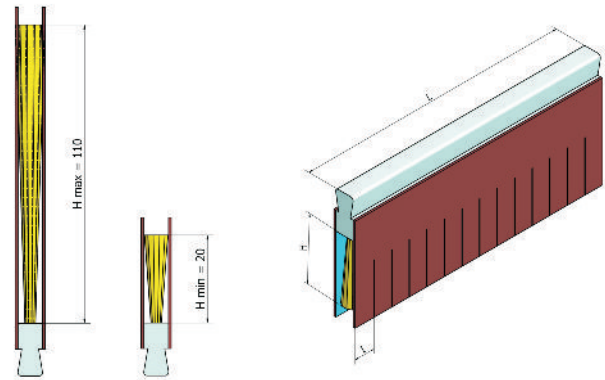
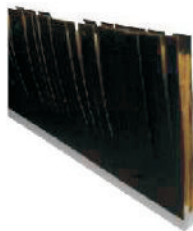
Type: **Tamp2/F** *plastick grip*

Supporting brush with Tampico fiber  
 Two lines of tampico



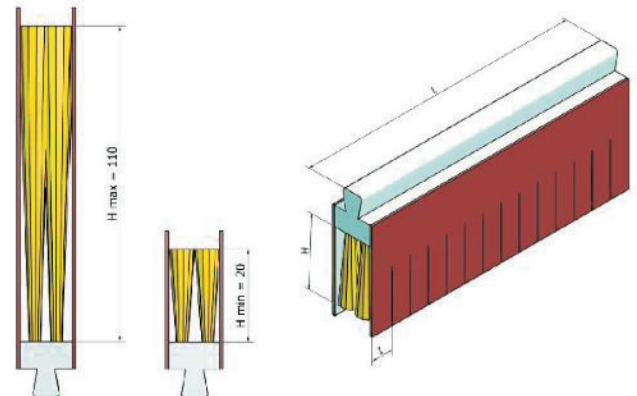
Type: **2DERTamp/F** *plastick grip*

Two sided Sanding brush with abrasive cloth  
 Possible types:  
 AIO - aluminum oxide  
 SiC - silicon carbide

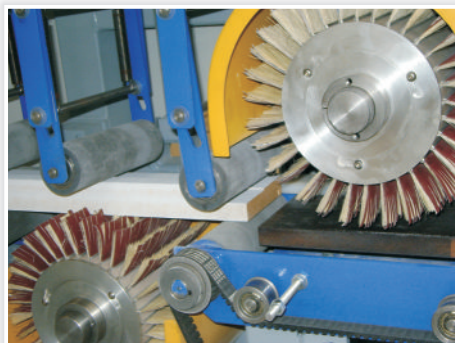
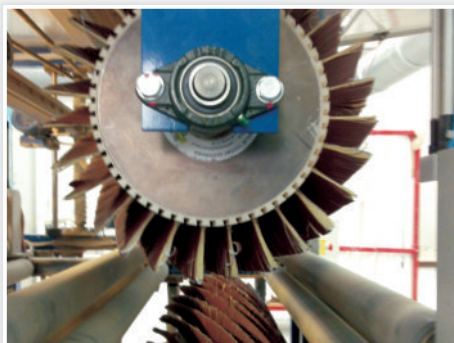
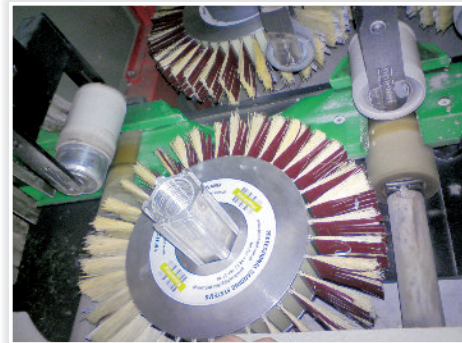
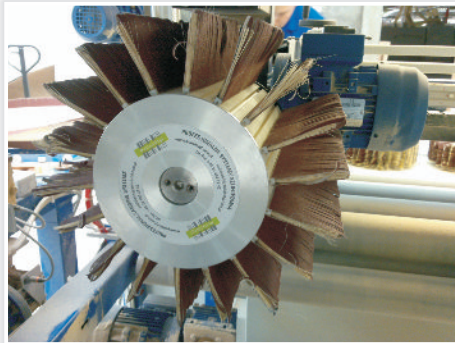


Type: **2DERTamp2/F** *plastick grip*

Two sided Sanding brush with abrasive cloth  
 Two lines of tampico  
 Possible types:  
 AIO - aluminum oxide  
 SiC - silicon carbide



polishstyl@polishstyl.com.pl  
www.polishstyl.com.pl



PolishStyl  
05-084 Leszno  
ul. Leśna 45

tel: 22 / 266 -83-75  
fax: 22 / 266-83-76  
Infolinia : 801-011-320