

A Quality Tool.

Hermes pneumatic random orbital sanders.



It has everything to make a sander's pulse race.



Product description

- Air-powered random orbital sander (compressed air: 6.3 bar)
- Low-vibration high-performance rotor motor (12.000 rpm)
- Orbit of either 2.5 mm or 5 mm
- AirShield technology
- Speed control "on the fly"
- Central vacuum extraction
- Lightweight: 780 g - 910 g
- Low machine height: 88 mm
- Low noise: 77 - 83 db

1 Optimum ha

Provided by ergonomics

With every machine you'll receive ...

FREE



- 1x VEL-Backing pad MULTIHOLE, medium
- 15x velour-backed discs VC 151-Longlife MULTIHOLE
- 1x Air Inlet (compressed air inlet), Ø ¼"
- 1x Dust extraction adapter, Ø 1"
- 1x precision engineering oil

9 Long, maintenance-

Assured by low-vibration high-per with a high degree of efficiency an

Accessories

Hermes supplies an extensive range of accessories specifically selected for use with the random orbital sanders supplied – for example backing pads in various dimensions and designs or the random orbital sander service kit with a large range of spare parts for replacing yourself.

For more information, please see the section entitled "Stock programme".



VEL-Backing pad MULTIHOLE, hard, medium, soft



VEL-Backing pad-FJ for different hole-systems



Random orbital sander Service Kit

8 Optimum

From precisely-we sturdy extraction d

Benefits you will appreciate.

2 Curved alloy steel lever

to guarantee accurate switching on and off, even under extreme conditions of use.

Handling

Ergonomically-shaped, non-slip handle.

3 Additional security bolt

Prevents unintentional activation of the sander, increasing working safety

Free working

Performance rotor motor and low air consumption.

4 Perfect material

Compressed air rate by a high-performance

5 Speed can be set exactly

By manual speed control "on the fly" with

Dust extraction

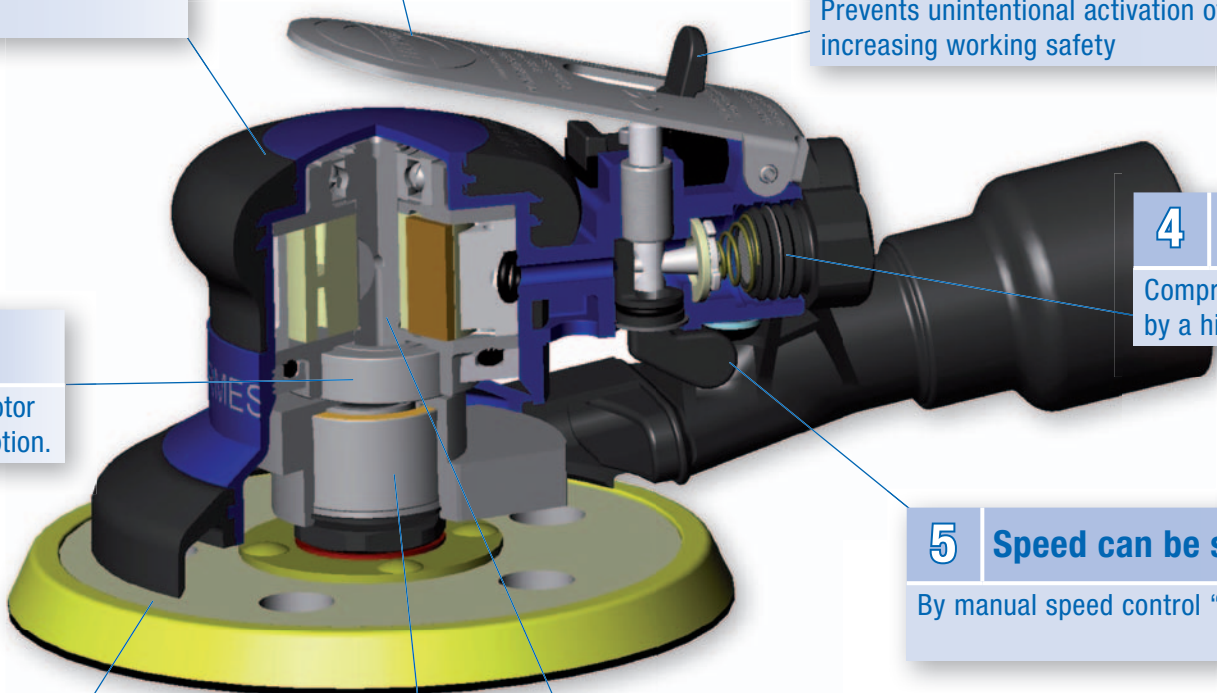
Weighted Hermes backing pads and

6 "Long life" bearings

Assured by new AirShield technology which protects the ball bearing from dirt and loss of lubricant.

7 2-directional load possible

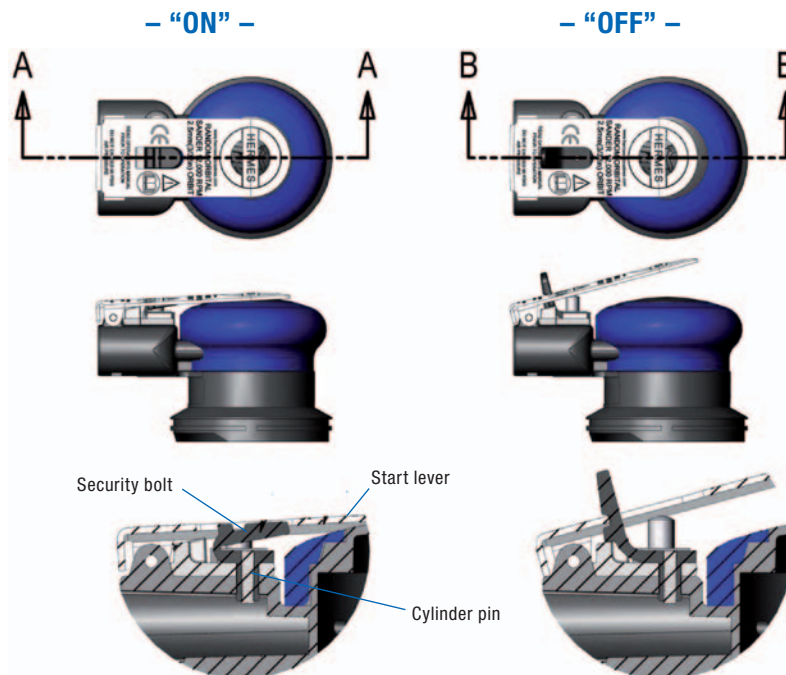
As a result of long-life, dual-row, deep-groove ball bearing which can simultaneously absorb axial and radial loads.



Safety Assurance

Working security

Safety is of paramount importance for Hermes Abrasives. Our random orbital sanders are equipped with an additional security bolt in accordance with EU security regulations which prevents unintentional activation. This does not affect the handling of the sander.



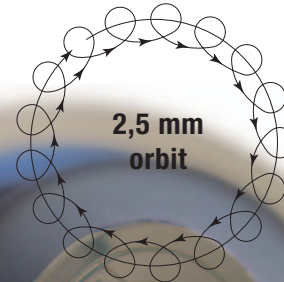
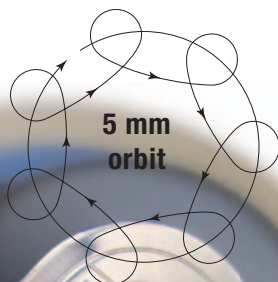
Machine control

accurately controlled
pressure valve.

while working.

For all applications

For fine sanding



Stock programme of Hermes random orbital sanders

Random orbital sanders

Orbit	Disc diameter	Hermes Ident No.
5 mm	Ø 150 mm	6187945
	Ø 125 mm	6187943
2.5 mm	Ø 150 mm	6187946
	Ø 125 mm	6187944
	Ø 75 mm	6187942

Accessories*

Random orbital sander service kit

Contents (1 of each): bearing 6000ZZ, bearing 6001ZZ, O-ring (Ø 5 mm x 2 mm), O-ring (Ø 9 mm x 1.5 mm), rotor, rotor blades (5x), notched pin, spacer disc, noise insulation, housing for noise insulation, noise insulation insert, valve shaft set, valve, valve spring, valve seat, spacer bracket, lockring

For machine	Disc diameter	Hermes Ident No.
Orbit 5 mm	Ø 150 mm	6180345
	Ø 125 mm	6180345
Orbit 2.5 mm	Ø 150 mm	6180345
	Ø 125 mm	6180345
	Ø 75 mm	6180346

VEL-Backing pad-FJ

Dimension (Ø)	Design	Hermes Ident No.
73 mm	bevelled edge, punched, 6 x Ø 41 mm	6173041

VEL-Backing pad-FJ

with 5/16" UNF external thread

123 mm	bevelled edge, without holes	6093577
	bevelled edge, punched, 5 x Ø 72 mm	6075523
	bevelled edge, punched, 8 x Ø 65 mm	6151581
147 mm	bevelled edge, without holes	6002347
	bevelled edge, punched, 6 x Ø 80 mm	6019518

VEL-Backing pad-FJ

with M8 screw

147 mm	bevelled edge, punched, 8 x Ø 120 mm with centre hole	6093578
--------	---	---------

VEL-Backing pad MULTIHOLE

with Adapter + M8 und 5/16" UNF screw

123 mm	bevelled edge, hard	6157547
	bevelled edge, medium	6074252
	bevelled edge, soft	6074253
147 mm	bevelled edge, hard	6157548
	bevelled edge, medium	6039385
	bevelled edge, soft	6039384

* Other designs of backing pads can be supplied on request.

