



PolishStyl

*Flexible Sanding Tools*

## POLISHING – SANDING MACHINES POLISHSTYL



**Polishing – sanding machines** are made for quick and effective sanding of wood and wooden elements in piles. Working with steel and tynex heads, the polishing – sanding machines can be used in more and more popular wood technology which is called wood structuring. The right combination of our sanding brushes allows to obtain excellent surface quality.



**PolishStyl**

ul. Dzieci Warszawy 27B/4  
02-495 Warszawa  
tel/fax : +48 22 / 40-727-40

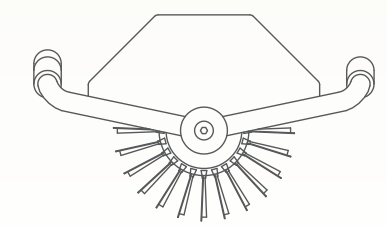
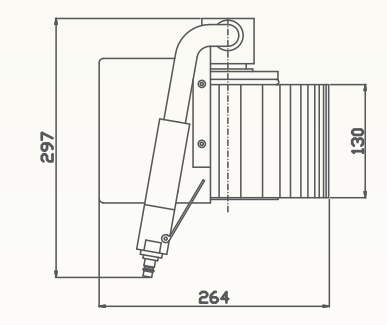
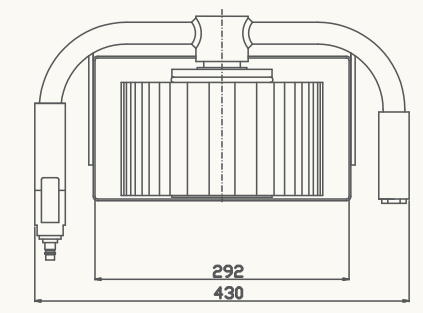
polishstyl@polishstyl.com.pl  
www.polishstyl.com.pl



*Flexible Sanding Tools*

### TECHNICAL PARAMETERS

	two-handed	one hand
rotation [rpm/min]	800-1300	100-1600
power [kW]	0,55	0,23
weight of machine with head and brushes [kg]	2,7	1,2
air consumption [l/min]	750	200
diameter of the head [mm]	115	80
length of the abrasive brushes [mm]	130	60
number of brushes on circumference [pcs]	24	18
recommended pressure [bar]	6,3	6,3



Ideal for sanding any kind of wood and wooden derivative material.



Where mobility is the most important.

**PolishStyl**  
 ul. Dzieci Warszawy 27B/4  
 02-495 Warszawa  
 tel/fax : +48 22 / 40-727-40  
 polishstyl@polishstyl.com.pl  
 www.polishstyl.com.pl